

## CJX2i AC Contactor

### Product Overview

CJX2i series AC Contactor with novel appearance and compact structure is suitable for using starting & controlling the AC motor frequently, switching on and off the circuit at a long distance. It is used in combination with thermal relay to compose a magnetic motor starter.

Standard: IEC 60947-1, IEC 60947-4-1.

### Specifications

- Rated operation current(Ie): 9-95A;
- Rated operation voltage(Ue): 220V~690V;
- Rated insulation voltage: 690V;
- Poles: 3P;
- Installation: Din rail and screw installation

### Operating and Installation Conditions

Type	Operating and Installation Conditions
Installation category	III
Pollution level	3
Certification	CE, CB, CCC, TUV
Protection degree	CJX2i-09~38: IP20; CJX2i-40~95: IP10
Ambient temperature	limit of temperature: -35°C~+70°C, normal temperature: -5°C~+40°C, The average no more than +35°C within 24 hours. If not in normal operating temperature range, please refer to "Instructions for abnormal environment"
Altitude	≤2000m
Ambient temperature	The maximum temperature of 70 degrees, the air relative humidity not exceed 50%, under lower temperature can allow for higher relative humidity. If the temperature is 20°C, the air relative humidity could up to 90%, Special measures should be taken for occasional condensation due to humidity changes.
Installation position	Inclination between installation surface and vertical surface should not exceed ±5°
Shock vibration	Products should be installed and used without significant shake, shock and vibration place.

## CJX2i AC Contactor

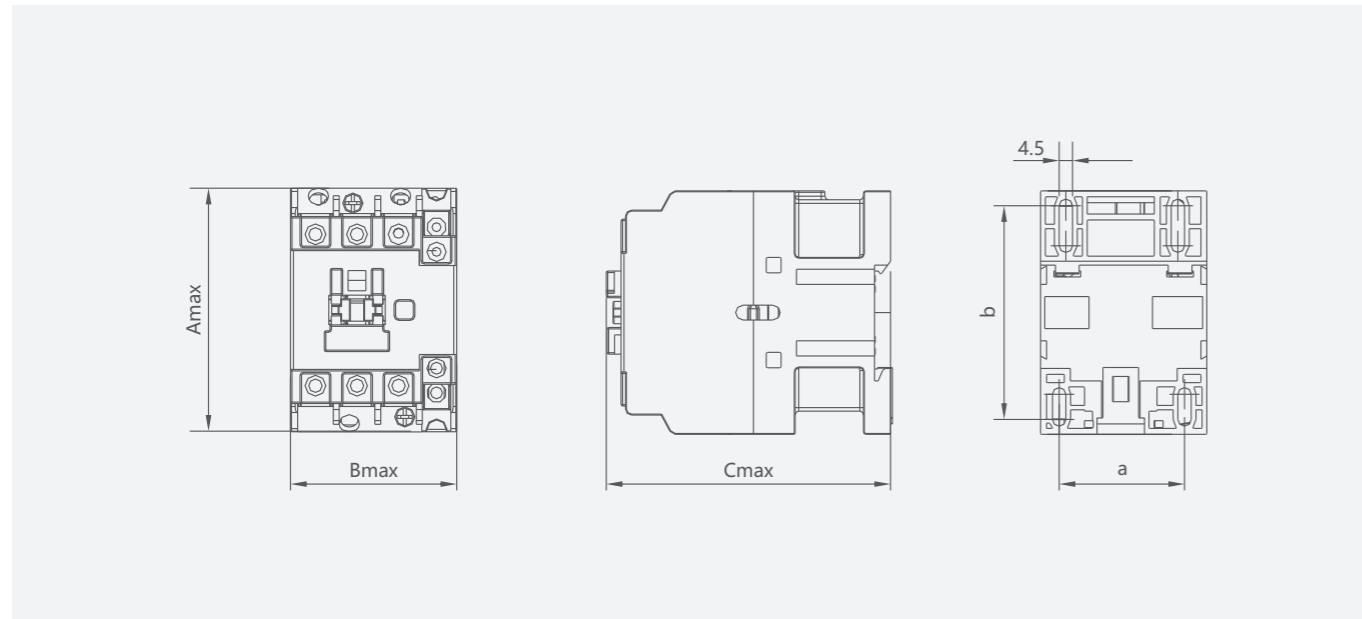
### Specifications

CJX2i Specifications																																																																																																																											
Type	CJX2i-09	CJX2i-12	CJX2i-18	CJX2i-25	CJX2i-32	CJX2i-38	CJX2i-40	CJX2i-50	CJX2i-65	CJX2i-80	CJX2i-95																																																																																																																
Appearance																																																																																																																											
Main circuit characteristic																																																																																																																											
Poles 3P																																																																																																																											
Rated insulation voltage(Ui) V 690																																																																																																																											
Rated operating voltage(Ue) V 380/400, 660/690																																																																																																																											
Rated thermal current(Ith), AC-1																																																																																																																											
<table border="1"> <tr> <td></td> <td></td> <td>20</td> <td>20</td> <td>32</td> <td>40</td> <td>50</td> <td>50</td> <td>60</td> <td>80</td> <td>80</td> <td>125</td> <td>125</td> </tr> <tr> <td rowspan="4">Rated operation current(Ie)</td> <td>AC-3,380/400V</td> <td>A</td> <td>9</td> <td>12</td> <td>18</td> <td>25</td> <td>32</td> <td>38</td> <td>40</td> <td>50</td> <td>65</td> <td>80</td> </tr> <tr> <td>AC-3,660/690V</td> <td>A</td> <td>6.6</td> <td>8.9</td> <td>12</td> <td>18</td> <td>22</td> <td>22</td> <td>34</td> <td>39</td> <td>42</td> <td>49</td> </tr> <tr> <td>AC-4,380/400V</td> <td>A</td> <td>3.5</td> <td>5</td> <td>7.7</td> <td>8.5</td> <td>12</td> <td>14</td> <td>18.5</td> <td>24</td> <td>28</td> <td>37</td> </tr> <tr> <td>AC-4,660/690V</td> <td>A</td> <td>1.5</td> <td>2</td> <td>3.8</td> <td>4.4</td> <td>7.5</td> <td>8.9</td> <td>9</td> <td>12</td> <td>14</td> <td>17.3</td> </tr> <tr> <td rowspan="4">Rated operational power(Pe)</td> <td>AC-3,380/400V</td> <td>kW</td> <td>4</td> <td>5.5</td> <td>7.5</td> <td>11</td> <td>15</td> <td>18.5</td> <td>18.5</td> <td>22</td> <td>30</td> <td>37</td> </tr> <tr> <td>AC-3,660/690V</td> <td>kW</td> <td>5.5</td> <td>7.5</td> <td>10</td> <td>15</td> <td>18.5</td> <td>18.5</td> <td>30</td> <td>33</td> <td>37</td> <td>45</td> </tr> <tr> <td>AC-4,380/400V</td> <td>kW</td> <td>1.5</td> <td>2.2</td> <td>3.3</td> <td>4</td> <td>5.4</td> <td>5.5</td> <td>7.5</td> <td>11</td> <td>15</td> <td>18.5</td> </tr> <tr> <td>AC-4,660/690V</td> <td>kW</td> <td>1.1</td> <td>1.5</td> <td>3</td> <td>3.7</td> <td>5.5</td> <td>6</td> <td>7.5</td> <td>10</td> <td>11</td> <td>15</td> </tr> </table>															20	20	32	40	50	50	60	80	80	125	125	Rated operation current(Ie)	AC-3,380/400V	A	9	12	18	25	32	38	40	50	65	80	AC-3,660/690V	A	6.6	8.9	12	18	22	22	34	39	42	49	AC-4,380/400V	A	3.5	5	7.7	8.5	12	14	18.5	24	28	37	AC-4,660/690V	A	1.5	2	3.8	4.4	7.5	8.9	9	12	14	17.3	Rated operational power(Pe)	AC-3,380/400V	kW	4	5.5	7.5	11	15	18.5	18.5	22	30	37	AC-3,660/690V	kW	5.5	7.5	10	15	18.5	18.5	30	33	37	45	AC-4,380/400V	kW	1.5	2.2	3.3	4	5.4	5.5	7.5	11	15	18.5	AC-4,660/690V	kW	1.1	1.5	3	3.7	5.5	6	7.5	10	11	15
		20	20	32	40	50	50	60	80	80	125	125																																																																																																															
Rated operation current(Ie)	AC-3,380/400V	A	9	12	18	25	32	38	40	50	65	80																																																																																																															
	AC-3,660/690V	A	6.6	8.9	12	18	22	22	34	39	42	49																																																																																																															
	AC-4,380/400V	A	3.5	5	7.7	8.5	12	14	18.5	24	28	37																																																																																																															
	AC-4,660/690V	A	1.5	2	3.8	4.4	7.5	8.9	9	12	14	17.3																																																																																																															
Rated operational power(Pe)	AC-3,380/400V	kW	4	5.5	7.5	11	15	18.5	18.5	22	30	37																																																																																																															
	AC-3,660/690V	kW	5.5	7.5	10	15	18.5	18.5	30	33	37	45																																																																																																															
	AC-4,380/400V	kW	1.5	2.2	3.3	4	5.4	5.5	7.5	11	15	18.5																																																																																																															
	AC-4,660/690V	kW	1.1	1.5	3	3.7	5.5	6	7.5	10	11	15																																																																																																															
Mechanical life																																																																																																																											
<table border="1"> <tr> <td></td> <td></td> <td colspan="3">1200</td> <td colspan="3">1000</td> <td colspan="2">900</td> <td colspan="3">650</td> </tr> <tr> <td rowspan="2">Electrical life</td> <td>AC-3</td> <td rowspan="2">10000 times</td> <td colspan="3">110</td> <td colspan="3">90</td> <td colspan="3">65</td> </tr> <tr> <td>AC-4</td> <td colspan="3">22</td> <td colspan="3">17</td> <td colspan="3">11</td> </tr> <tr> <td rowspan="2">Frequency of operation</td> <td>AC-3</td> <td rowspan="2">times/hour</td> <td colspan="3">1200</td> <td colspan="3">600</td> <td colspan="3">300</td> </tr> <tr> <td>AC-4</td> <td colspan="3">300</td> <td colspan="3">300</td> <td colspan="3"></td> </tr> </table>															1200			1000			900		650			Electrical life	AC-3	10000 times	110			90			65			AC-4	22			17			11			Frequency of operation	AC-3	times/hour	1200			600			300			AC-4	300			300																																																											
		1200			1000			900		650																																																																																																																	
Electrical life	AC-3	10000 times	110			90			65																																																																																																																		
	AC-4		22			17			11																																																																																																																		
Frequency of operation	AC-3	times/hour	1200			600			300																																																																																																																		
	AC-4		300			300																																																																																																																					
Connecting capability of main circuit terminal																																																																																																																											
<table border="1"> <tr> <td rowspan="2">Flexible wire</td> <td>1 wire</td> <td>mm<sup>2</sup></td> <td colspan="3">1...4</td> <td colspan="3">1.5...6</td> <td colspan="2">2.5...25</td> <td colspan="2">4...50</td> </tr> <tr> <td>No terminal</td> <td>2 wire</td> <td colspan="3">1...4</td> <td colspan="3">1.5...6</td> <td colspan="2">2.5...16</td> <td colspan="2">4...25</td> </tr> <tr> <td rowspan="2">Flexible wire</td> <td>1 wire</td> <td>mm<sup>2</sup></td> <td colspan="3">1...4</td> <td colspan="3">1...6</td> <td colspan="2">2.5...25</td> <td colspan="2">4...50</td> </tr> <tr> <td>With terminals</td> <td>2 wire</td> <td colspan="3">1...2.5</td> <td colspan="3">1...4</td> <td colspan="2">2.5...10</td> <td colspan="2">4...16</td> </tr> <tr> <td rowspan="2">Hard wire</td> <td>1 wire</td> <td>mm<sup>2</sup></td> <td colspan="3">1...4</td> <td colspan="2">1.5...6</td> <td colspan="2">1.5...10</td> <td colspan="2">2.5...25</td> <td colspan="2">4...50</td> </tr> <tr> <td>No terminal</td> <td>2 wire</td> <td colspan="3">1...4</td> <td colspan="3">1.5...</td> <td colspan="2">2.5...10</td> <td colspan="2">4...25</td> </tr> <tr> <td colspan="2">Fastening torque</td> <td>N·m</td> <td colspan="3">1.2</td> <td colspan="3">1.8</td> <td colspan="2">5</td> <td colspan="2">9</td> </tr> </table>													Flexible wire	1 wire	mm <sup>2</sup>	1...4			1.5...6			2.5...25		4...50		No terminal	2 wire	1...4			1.5...6			2.5...16		4...25		Flexible wire	1 wire	mm <sup>2</sup>	1...4			1...6			2.5...25		4...50		With terminals	2 wire	1...2.5			1...4			2.5...10		4...16		Hard wire	1 wire	mm <sup>2</sup>	1...4			1.5...6		1.5...10		2.5...25		4...50		No terminal	2 wire	1...4			1.5...			2.5...10		4...25		Fastening torque		N·m	1.2			1.8			5		9																							
Flexible wire	1 wire	mm <sup>2</sup>	1...4			1.5...6			2.5...25		4...50																																																																																																																
	No terminal	2 wire	1...4			1.5...6			2.5...16		4...25																																																																																																																
Flexible wire	1 wire	mm <sup>2</sup>	1...4			1...6			2.5...25		4...50																																																																																																																
	With terminals	2 wire	1...2.5			1...4			2.5...10		4...16																																																																																																																
Hard wire	1 wire	mm <sup>2</sup>	1...4			1.5...6		1.5...10		2.5...25		4...50																																																																																																															
	No terminal	2 wire	1...4			1.5...			2.5...10		4...25																																																																																																																
Fastening torque		N·m	1.2			1.8			5		9																																																																																																																
Coil																																																																																																																											
Rated control voltage(Us)																																																																																																																											
<table border="1"> <tr> <td>50Hz</td> <td>V</td> <td colspan="11">24, 36, 48, 110, 127, 220/230, 240, 380/400, 415, 440</td> </tr> <tr> <td>50/60Hz</td> <td>V</td> <td colspan="11">24, 36, 48, 110, 127, 220/230, 240, 380/400, 415, 440</td> </tr> </table>													50Hz	V	24, 36, 48, 110, 127, 220/230, 240, 380/400, 415, 440											50/60Hz	V	24, 36, 48, 110, 127, 220/230, 240, 380/400, 415, 440																																																																																															
50Hz	V	24, 36, 48, 110, 127, 220/230, 240, 380/400, 415, 440																																																																																																																									
50/60Hz	V	24, 36, 48, 110, 127, 220/230, 240, 380/400, 415, 440																																																																																																																									
Allowed control circuit voltage(Us)																																																																																																																											
<table border="1"> <tr> <td>Operation</td> <td>V</td> <td colspan="11">Installation inclination angle ±22.5°: 85%~110%Us; Installation inclination angle±5°: 70%~120%</td> </tr> <tr> <td>Release</td> <td>V</td> <td colspan="11">Installation inclination angle ±22.5°: 20%~75%Us; Installation inclination angle±5°: 20%~65%</td> </tr> </table>													Operation	V	Installation inclination angle ±22.5°: 85%~110%Us; Installation inclination angle±5°: 70%~120%											Release	V	Installation inclination angle ±22.5°: 20%~75%Us; Installation inclination angle±5°: 20%~65%																																																																																															
Operation	V	Installation inclination angle ±22.5°: 85%~110%Us; Installation inclination angle±5°: 70%~120%																																																																																																																									
Release	V	Installation inclination angle ±22.5°: 20%~75%Us; Installation inclination angle±5°: 20%~65%																																																																																																																									
Power consumption of coil																																																																																																																											
<table border="1"> <tr> <td rowspan="3">Power consumption of coil</td> <td>Actuation</td> <td>VA</td> <td colspan="3">60</td> <td colspan="3">70</td> <td colspan="2">200</td> <td colspan="2">200</td> </tr> <tr> <td>Keep</td> <td>VA</td> <td colspan="3">6-9.5</td> <td colspan="3">6-9.5</td> <td colspan="2">15-20</td> <td colspan="2">15-20</td> </tr> <tr> <td>Consumption</td> <td>W</td> <td colspan="3">1-3</td> <td colspan="3">1-3</td> <td colspan="2">6-10</td> <td colspan="2">6-10</td> </tr> </table>													Power consumption of coil	Actuation	VA	60			70			200		200		Keep	VA	6-9.5			6-9.5			15-20		15-20		Consumption	W	1-3			1-3			6-10		6-10																																																																											
Power consumption of coil	Actuation	VA	60			70			200		200																																																																																																																
	Keep	VA	6-9.5			6-9.5			15-20		15-20																																																																																																																
	Consumption	W	1-3			1-3			6-10		6-10																																																																																																																
Auxiliary contacts																																																																																																																											
Auxiliary contacts specification A 11																																																																																																																											
Rated thermal current (Ith) A 10																																																																																																																											
Rated operating voltage (Ue)																																																																																																																											
<table border="1"> <tr> <td>AC</td> <td>V</td> <td colspan="11">380</td> </tr> <tr> <td>DC</td> <td>V</td> <td colspan="11">220</td> </tr> </table>													AC	V	380											DC	V	220																																																																																															
AC	V	380																																																																																																																									
DC	V	220																																																																																																																									
Rated control capacit																																																																																																																											
<table border="1"> <tr> <td>AC-15</td> <td>VA</td> <td colspan="11">360</td> </tr> <tr> <td>DC-13</td> <td>W</td> <td colspan="11">33</td> </tr> </table>													AC-15	VA	360											DC-13	W	33																																																																																															
AC-15	VA	360																																																																																																																									
DC-13	W	33																																																																																																																									
Certification CCC, CE, TUV, CB																																																																																																																											

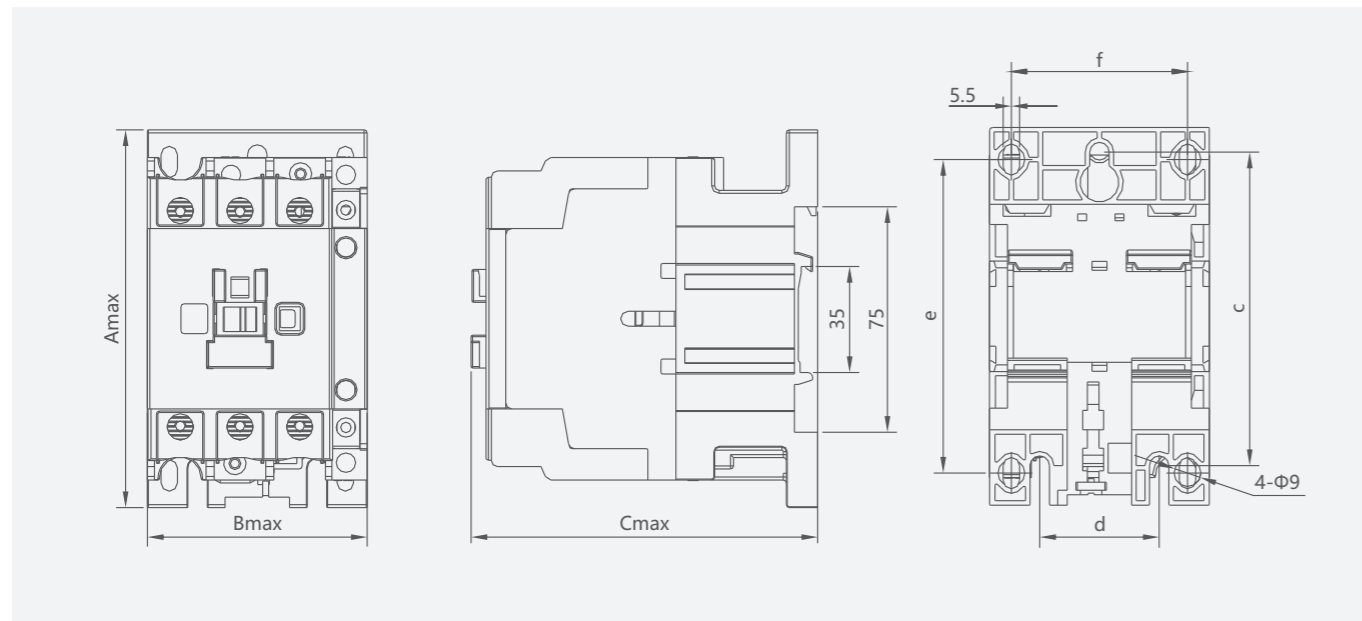
## CJX2i AC Contactor

### Overall and Mounting

CJX2i-09~38



CJX2i-40~95



Type	Amax	Bmax	Cmax	a	b	c	d	e	f
CJX2i-09, 12, 18	74.5	45.5	85.5	35	50/60	-	-	-	-
CJX2i-25, 32, 38	83	56.5	97	40	50/70	-	-	-	-
CJX2i-40, 50, 65	127.5	74.5	117	-	-	105	40	100/110	59
CJX2i-80, 95	127.5	85.5	125.5	-	-	105	40	100/110	67

## CJX2i AC Contactor

Derived Products When The Contactor is Assembled With Following Accessory Module

Derived products	Contactor	Accessorial modular	Picture
Time-delay contactor		+	
Reversing contactor		+	
Magnetic starter		+	
Auxiliary Contact		+	
Changeover capacitor AC contactor		+	
dust cover		+	

## CJX2i-N Mechanical Interlocking Contactor

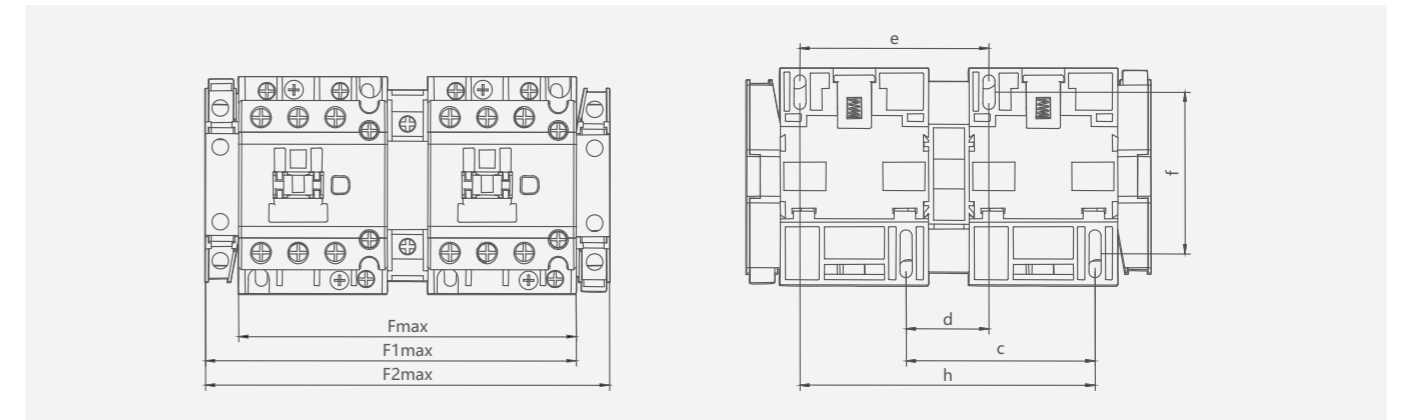
### Specifications

Type	Rated operation current(Ie)(A)	Rated thermal current (Ith)(A)	Rated operational power in category AC-3 (kW)	
			380V	660V
CJX2i-09N	9	20	4	5.5
CJX2i-12N	12	20	5.5	7.5
CJX2i-18N	18	32	7.5	10
CJX2i-25N	25	40	11	15
CJX2i-32N	32	50	15	18.5
CJX2i-38N	38	50	15	18.5
CJX2i-40N	40	50	18.5	30
CJX2i-50N	50	60	22	33
CJX2i-65N	65	80	30	37
CJX2i-80N	80	95	37	45
CJX2i-95N	95	95	45	55

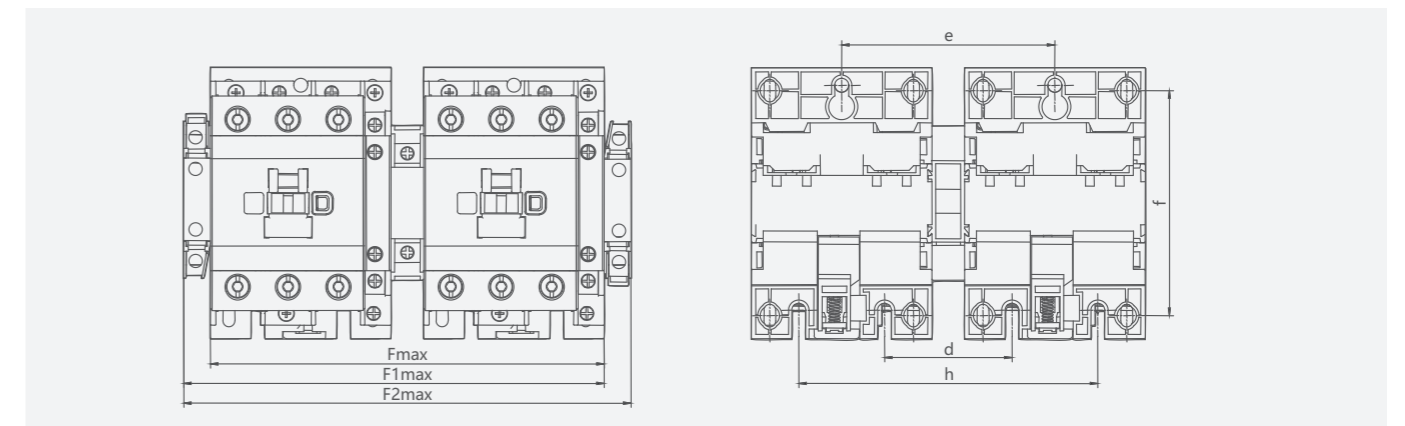
## CJX2i-N Mechanical Interlocking Contactor

### Outline and installation dimensions

CJX2i-09~38N



CJX2i-40~95N



Type	Fmax	F1max	F2max	c	d	e	f	h
CJX2i-09N, 12N, 18N	107	120	131	60	25	60	50/60	95
CJX2i-25N, 32N, 38N	129	142	153	71	31.5	71	50/60	111.5
CJX2i-40N, 50N, 65N	163	180	193	-	50	90	100/110	130
CJX2i-80N, 95N	186	202	215	-	60	100	100/110	140