

CJ40 AC Contactor



CJ40(63-125)



CJ40(160-250)



CJ40(160-250)



CJ40(630-1250)

General

Cj40 series AC contactor is mainly used for remote making & breaking circuits in power lines with AC 50Hz (or 60Hz), rated working voltage up to 690V (or 1140V), rated working current up to 1250A, and protect circuit from overload when assembling with thermal over-load relay or electronic protection device.
Standard: IEC 60947-4-1

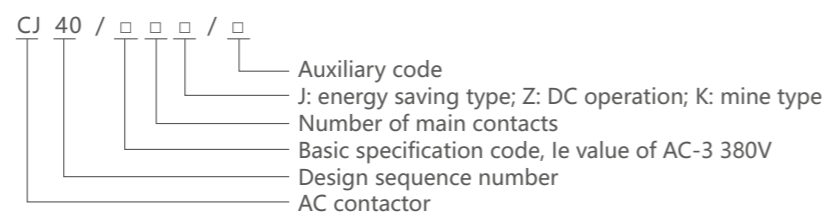
Product features

CJ40-63-1000 AC contactor is an open type straight acting double break-point structure. Auxiliary contacts are installed on both sides of the main contact as independent components, which are electrically separated. The iron core has a U-shaped permanent air gap. The base of CJ40-630A and above is die-cast aluminum alloy, screw mounted; The base of CJ40-63-125 is made of unsaturated polyester fiberglass reinforced plastic, which can be installed by screws or using TH75 guide rails. The arc extinguishing cover is composed of arc resistant plastic and iron grid, which has the advantages of high breaking ability and high reliability.

Operating conditions

Ambient temperature: -5°C~+40°C;
Air conditions: At mounting site, relative humidity not exceed 50% at the maximum temperature of +40°C. For the wettest month, the maximum relative humidity averaged shall be 90% while the lowest temperature averaged in that month is +20°C, special measures should be taken to occurrence of condensation.
Altitude: ≤2000m;
Pollution grade: 3
Mounting conditions: inclination between the mounting plane and the vertical plane not exceed ±5°;
The product should locate in the places where there are no obvious impact and shake.

Type designation



The auxiliary code is composed of five parts and can be selected in the following order as required: The first part, "Y" is general type, default type; "N" is reversible type; The second part uses 1 digit to represent the pole number of the main circuit: 3 means 3 poles, default type; 4 means 4 poles; The third part uses 2 digits to indicate the highest rated working voltage: "06" means 690V, default type; "11" means 1140 v; The fourth part represents the rated control power supply voltage, AC represents AC; DC means DC, after the letter with the value of the rated control power supply voltage, AC380 is default type; The fifth part, the type and quantity of auxiliary contact are represented by letter F and 2 digits. The first digit represents the number of NO auxiliary contact, and the last digit represents the number of NC auxiliary contact. F42 can be omitted. Note: This item includes two parts, the number of main contacts and the number of auxiliary contacts, which are respectively expressed by numbers as follows: (--) indicates: - Number of NO main contact, number of NC main contact, - Number of NO auxiliary contact, number of NC auxiliary contact.

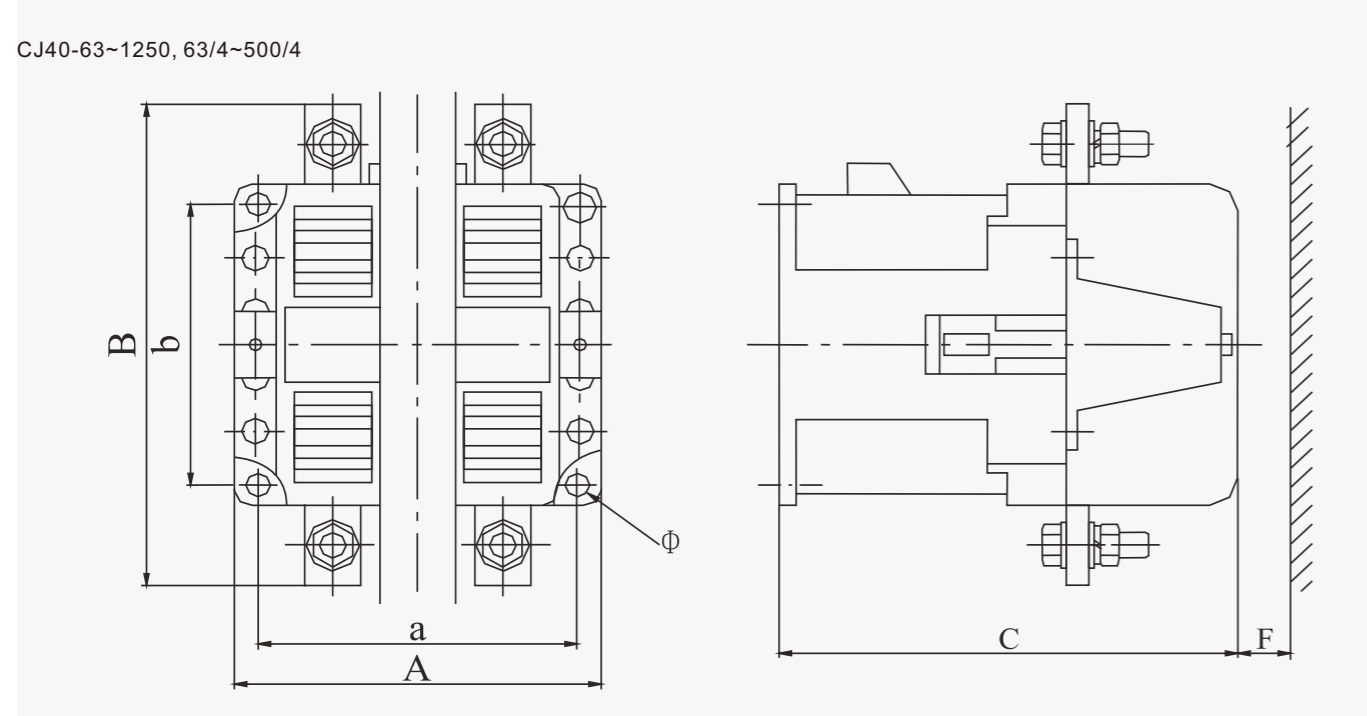
CJ40 AC Contactor

Technical data

Type	Frame size	Rated insulation voltage Ui(V)	Rated operation voltage Ue(V)	Rated thermal current(A)	Ie (A) under intermittent periodic mode				Pe (kW) under AC-3	Ie(A) under non-stop working mode		
					AC-1	AC-2	AC-3	AC-4				
CJ40-63	125	690	220	80	80	63	63	63	18.5	80		
			380						30			
			660						55			
220			22									
380			37									
660			55									
CJ40-80			125	690	220	125	125	100	100	100	30	125
					380						45	
					660						75	
220					37							
380					55							
660					75							
CJ40-100	125	690			220	250	250	125	125	125	45	250
					380						90	
					660						110	
220					75							
380					132							
660					110							
CJ40-125			250	690	220	500	500	315	315	315	90	500
					380						160	
					660						300	
220					110							
380					220							
660					300							
CJ40-160	250	690			220	1000	1000	500	500	500	150	1000
					380						280	
					660						300	
220					150							
380					280							
660					300							
CJ40-200			250	690	220	1250	1250	/	1250	/	200	1250
					380						335	
					660						475	
220					250							
380					450							
660					475							
CJ40-250	1000	690			220	/	/	1000	/	/	360	1000
					380						625	
					660						475	
220					400							
380					720							
660					520							
CJ40-315			1250	1140	125	125	125	125	40	40	55	125
					250						110	
					500						220	
1000					600							
1000					1000							
1000					1000							
CJ40-400	1250	1140			125	250	250	250	80	80	110	250
					250						110	
					500						220	
1000					600							
1000					1000							
1000					1000							
CJ40-500			1250	1140	125	1250	1250	/	1250	/	400	1250
					250						110	
					500						220	
1000					600							
1000					1000							
1000					1000							
CJ40-630	1250	1140			125	1250	1250	/	1250	/	400	1250
					250						110	
					500						220	
1000					600							
1000					1000							
1000					1000							
CJ40-800			1250	1140	125	1250	1250	/	1250	/	400	1250
					250						110	
					500						220	
1000					600							
1000					1000							
1000					1000							
CJ40-1000	1250	1140			125	1250	1250	/	1250	/	400	1250
					250						110	
					500						220	
1000					600							
1000					1000							
1000					1000							
CJ40-1250			1250	1140	125	1250	1250	/	1250	/	400	1250
					250						110	
					500						220	
1000					600							
1000					1000							
1000					1000							
CJ40-125/11	1250	1140			125	1250	1250	/	1250	/	400	1250
					250						110	
					500						220	
1000					600							
1000					1000							
1000					1000							
CJ40-250/11			1250	1140	125	1250	1250	/	1250	/	400	1250
					250						110	
					500						220	
1000					600							
1000					1000							
1000					1000							
CJ40-500/11	1250	1140			125	1250	1250	/	1250	/	400	1250
					250						110	
					500						220	
1000					600							
1000					1000							
1000					1000							
CJ40-1000/11			1250	1140	125	1250	1250	/	1250	/	400	1250
					250						110	
					500						220	
1000					600							
1000					1000							
1000					1000							

CJ40 AC Contactor

Overall and mounting dimensions (mm)



Overall and mounting dimensions of CJ40-63~1250

Type	Overall size Max			Mounting size			Install rail	Safety zone Fmin	
	A	B	C	a	b	Φ		380V	660V
CJ40-63-125	116	143	154	100	90	5.8	TH75	20	40
CJ40-160-200	146	186	184	130	130	9	/	30	40
CJ40-250								40	60
CJ40-315-400	190	235	230	160	150	9		40	60
CJ40-500								50	70
CJ40-630-1250	245	345	288	210	180	11		0	0
CJ40-63/4-125/4	143	143	154	128	90	5.8	TH75	20	40
CJ40-63/4-200/4	187	186	184	170	130	9	/	30	40
CJ40-250-4								40	60
CJ40-315/4-400/4	236	235	230	216	150	9		40	60
CJ40-500/4								50	70

CJ40 AC Contactor