

Electrical Accessories

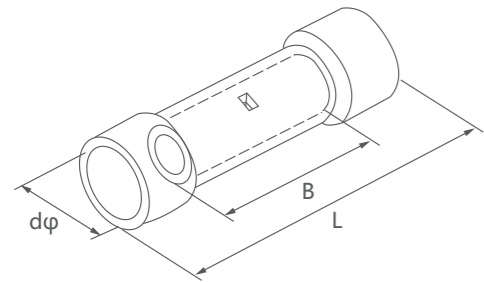
Insulated Butt Connectors & Insulated Butted Disconnects



Insulated Butt Connectors

Material: Copper; Insulation Materials: PVC

Model	conductor cross-section		Size(mm)			Maximum current	Color
	A.W.G	mm ²	B	dΦ	L		
BV1.5	22-16	0.5-1.5	15.0	1.7	26.0	19A	Red
BV2	16-14	0.5-1.5	15.0	2.3	26.0	27A	Blue
BV5.5	12-10	4-6	15.0	3.4	26.0	48A	Yellow
BV8	#8	6-10	21.0	4.5	32.0	62A	Red
BV14	#6	10-16	26.0	5.8	42.0	88A	Blue
BV22	#4	16-25	29.0	7.7	50.0	115A	Yellow



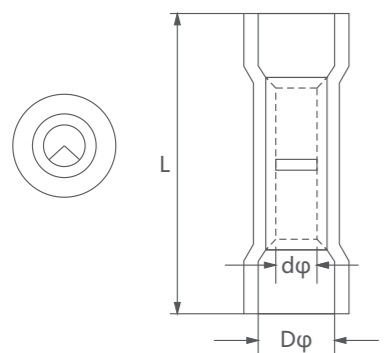
Insulated Butt Connectors

Material: Copper; Insulation Materials: PVC

Model	conductor cross-section		Size(mm)			Maximum current	Color
	A.W.G	mm ²	B	dΦ	L		
PVT1.25	22-16	0.5-1.5	8.0	1.7	16.0	19A	Red
PVT2	16-14	1.5-2.5	8.0	2.3	16.0	27A	Blue
PVT5.5	12-10	4-6	8.5	3.4	20.5	48A	Yellow

Insulated Butted Disconnects

Maximum current: 26-22 A.W.G: 9A; 16-14 A.W.G: 27A; 12-10 A.W.G: 48A;
Maximum pressure voltage: 105°C 600V; Insulating sleeve material: Nylon



Model	Size(mm)			Connector material	Conductor cross-section	Color
	L	DΦ	dΦ			
BNYF0.5	20.0	2.0	1.3	Copper tube	26-22 A.W.G 0.2-0.5mm ²	Yellow
BNYF1.25	27.3	3.2	1.7	Copper tube	22-16 A.W.G 0.5-1.5mm ²	Red
BNYF2	27.3	3.8	2.3	Copper tube	16-14 A.W.G 1.5-2.5mm ²	Blue
BNYF5.5	27.3	5.3	3.4	Copper tube	14-10 A.W.G 4-6mm ²	Yellow

