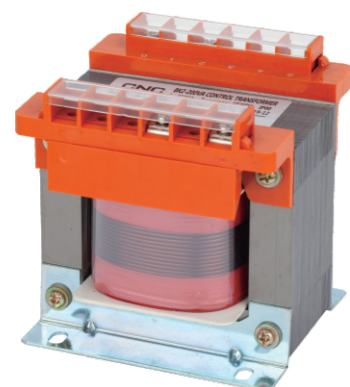


BK Control Transformer



Sphere of application

BK series control transformer for 50~60Hz, voltage to 500V circuits, is used as the control power supply in machine tools, mechanical equipment, local lighting and power indicator light.

Type designation



Working condition

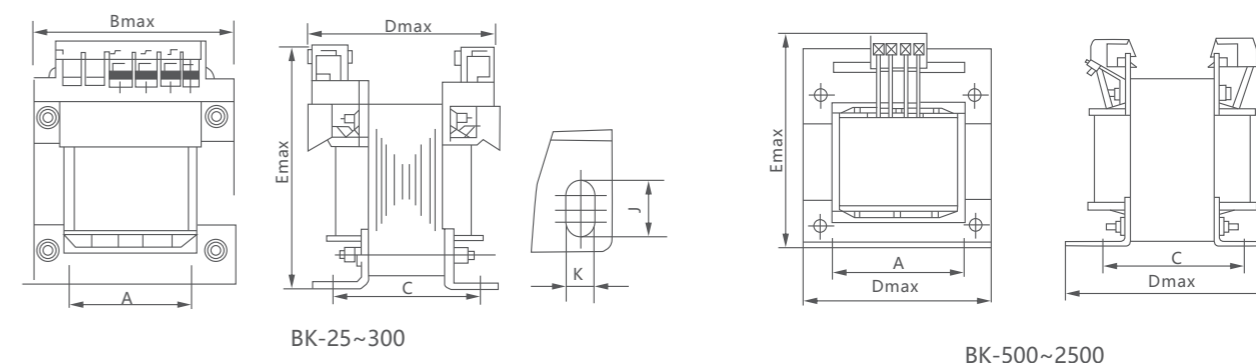
1. The ambient air temperature of -5°C to $+40^{\circ}\text{C}$, 24-hour average does not exceed $+35^{\circ}\text{C}$;
2. Installation site altitude does not exceed 2000m;
3. The atmospheric relative humidity in the ambient air temperature is $+40^{\circ}\text{C}$ less than 50%, at a lower temperature can have a higher relative humidity, the wet months, the average maximum humidity of 90%, while the monthly average minimum monthly temperature to $+25^{\circ}\text{C}$, and taking into account changes in temperature occur in the surface of the Gel.

Structure

BK series control transformer adopts the advantage of similar products at home and abroad for many years to use advanced manufacturing techniques and rigorous design, and advanced optimization methods terminals. with excellent performance, reliable operation, low power consumption. small size, wiring security, protection level high, wide applicability and soon. BK series is an ideal transformer power supply that can long-term work in rated load.

BK Control Transformer

Shape and mounting dimension



Model	Item Dimension	Shape dimension			Mounting dimension		Install bore dimension K×J	Note
		Bmax	Dmax	Emax	A	C		
BK-25		80	70	90	56	49±0.5	5×8	
BK-50		80	72	90	56	51±0.5	5×8	
BK-100		98	85	108	84	63±0.5	5×8	
BK-150		105	87	110	76	65±0.5	5×8	
BK-200		105	100	110	76	76±0.5	8×11	
BK-250		105	105	110	76	81±0.5	8×11	
BK-300		115	110	125	90	78±0.5	8×11	
BK-400		135	120	140	100	85±0.5	8×13	
BK-500		135	130	140	100	95±0.5	8×13	
BK-600		152	125	150	120	90±0.5	8×13	
BK-700		152	125	150	120	90±0.5	8×13	
BK-800		152	140	150	120	105±0.5	8×13	
BK-1000		152	155	165	120	120±0.5	8×13	
BK-1500		170	180	195	130	110±0.5	8.5×17	Aluminum
BK-2000		205	205	240	170	115±0.5	8×11	Aluminum
BK-3000		205	225	240	170	130±0.5	8×11	Copper
BK-4000		205	250	240	170	150±0.5	8×11	Copper
BK-5000		235	270	265	190	145±0.5	8×11	Copper