

AZ Micro Switch

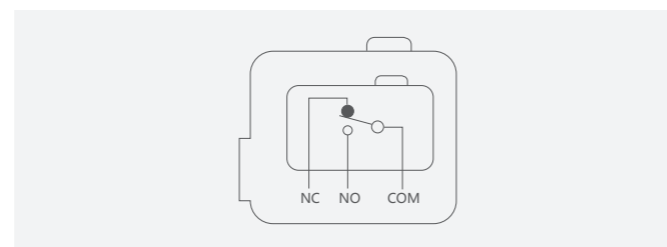
Characteristics / Application

Item	Value
Operation speed	0.01mm to 50m/Sec
Action frequency	120 times/Minute
Contact resistance	Under 15mΩ (Initial)
Insulation resistance	100mΩ above (under 500VDC)
Bearing voltage	Non-contact end: 1000VAC, 50/60Hz for one minute, Current parts and non-current parts and end and connect position: 1500VAC, 50/60Hz for one minute
Vibration	Action: 10 to 55Hz: 1.5mm pairs swing
Hitting	Machine: 400m/Sec ² (about 40G'S); Action: 100m/Sec ² (about 10G'S)
Ambient temperature	-25°C to 80°C
Humidity	Below 95%RH
Serve life	Mechanical: 10000000 times above (at rated ot); Electrical: 500000 times above
Protection structure	IEC specification: IP65

Features

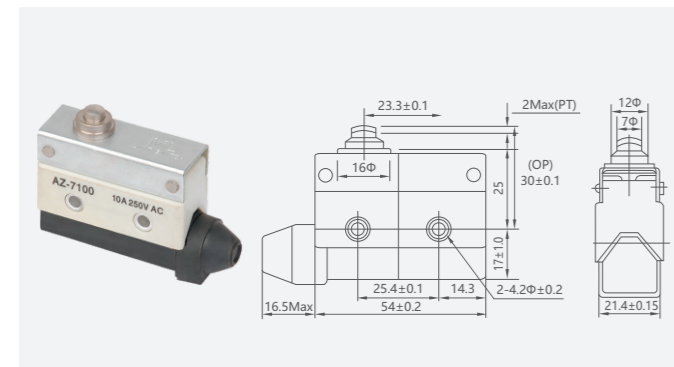
1. Side mount switches
2. Momentary contacts
3. Wide choice of heads and actuators
4. Sealed actuators
5. Completely sealed construction
6. Plastic sealed housing

Contact form

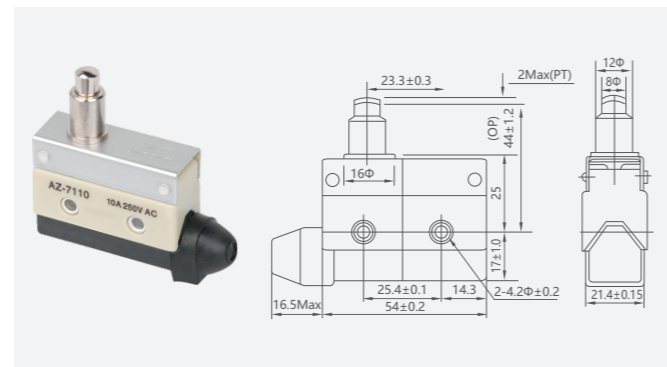


External appearance size

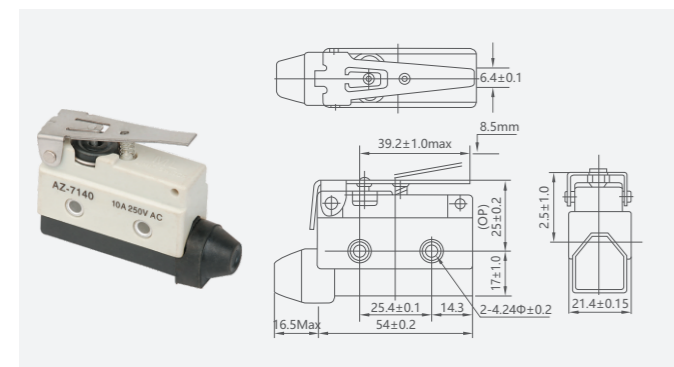
AZ-7100



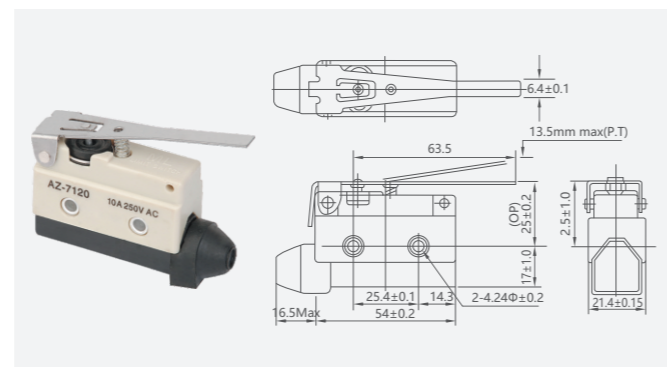
AZ-7110



AZ-7140

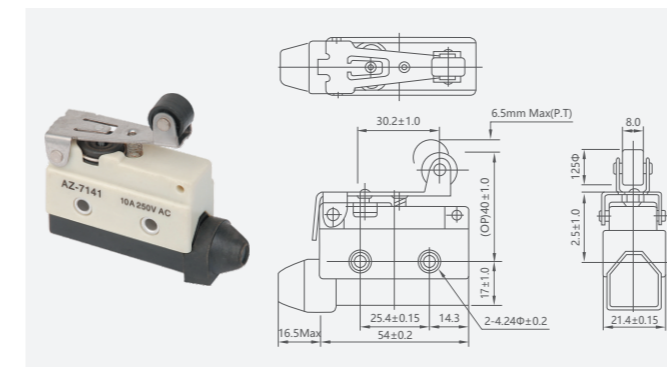


AZ-7120

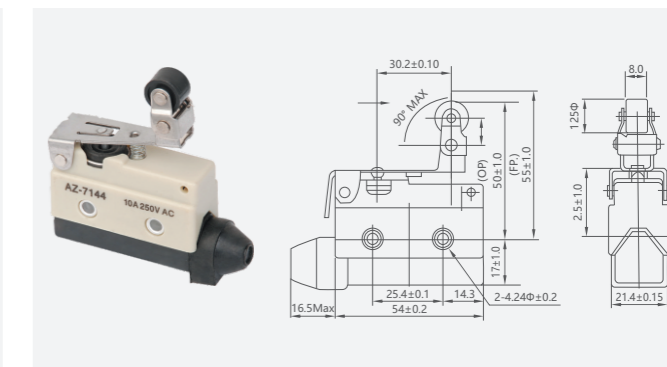


AZ Micro Switch

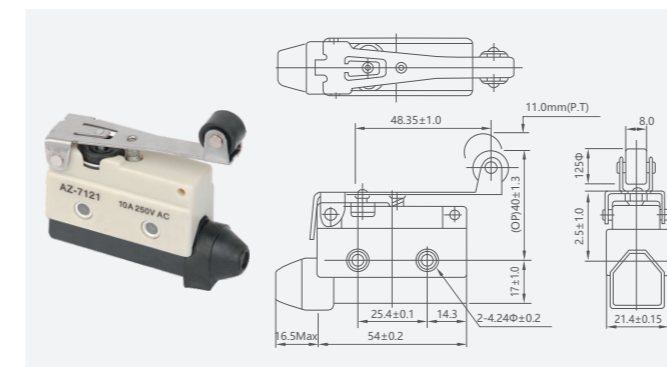
AZ-7141



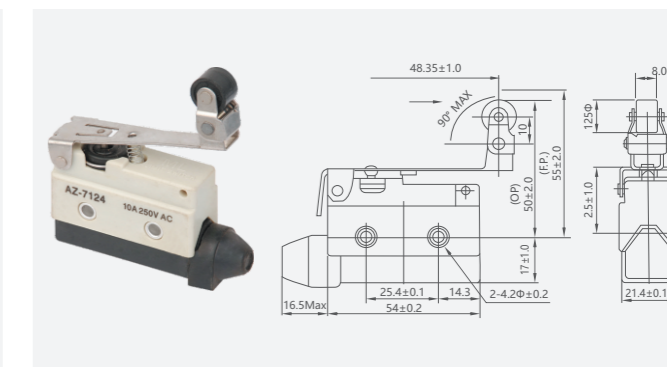
AZ-7144



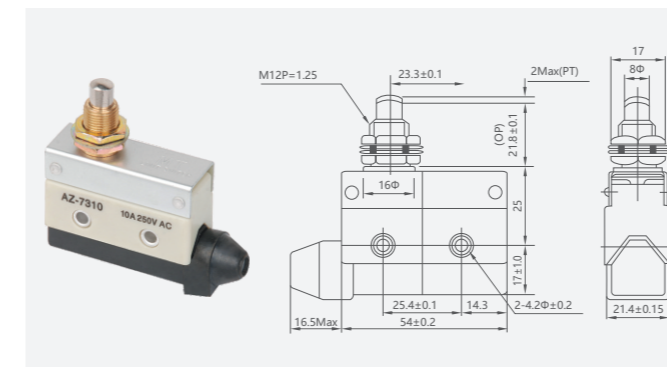
AZ-7121



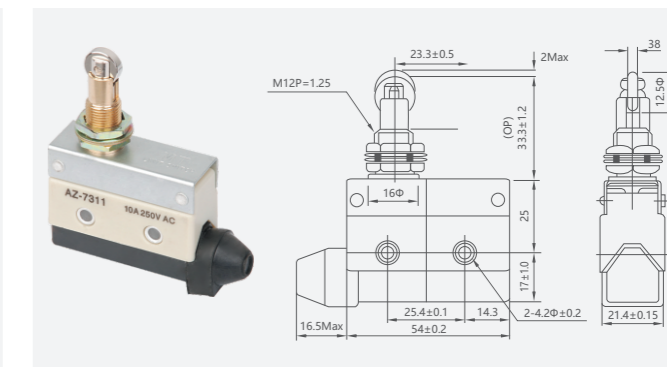
AZ-7124



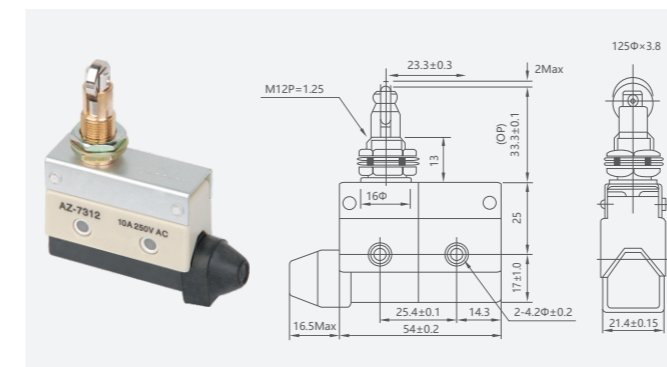
AZ-7310



AZ-7311



AZ-7312



AZ-7166

