

Distribution Apparatus

ATS220 ATS Controller



General

ATS220 is one controller with YCQ4 ATS system of Mains and genset power, which can control the YCQ4 ATS switch by auto or manual mode to apply for mains and gens power. It is with 4 digits LED tube which can display the single-phase gens voltage, gens frequency, mains voltage, mains frequency. YCQ4 ATS switch working status can be also shown by LED.

All the parameters can be set through the front face buttons or PC port.

Features

1. 32 units Micro-procession technology is used;
2. Wide voltage range: 8-36V;
3. 4 digits LED tube which can display mains, voltage, frequency;
4. Totally 7 relay's output, max current is 5A(250VAC);
5. 1 group programmable switch input;
6. Parameters can be set by front face buttons;
7. Standard water-proof rubber, the protection level can reach at IP54;
8. All the connection are installed by European style terminals;
9. Simulated mains function, crank conditions can be chosen.

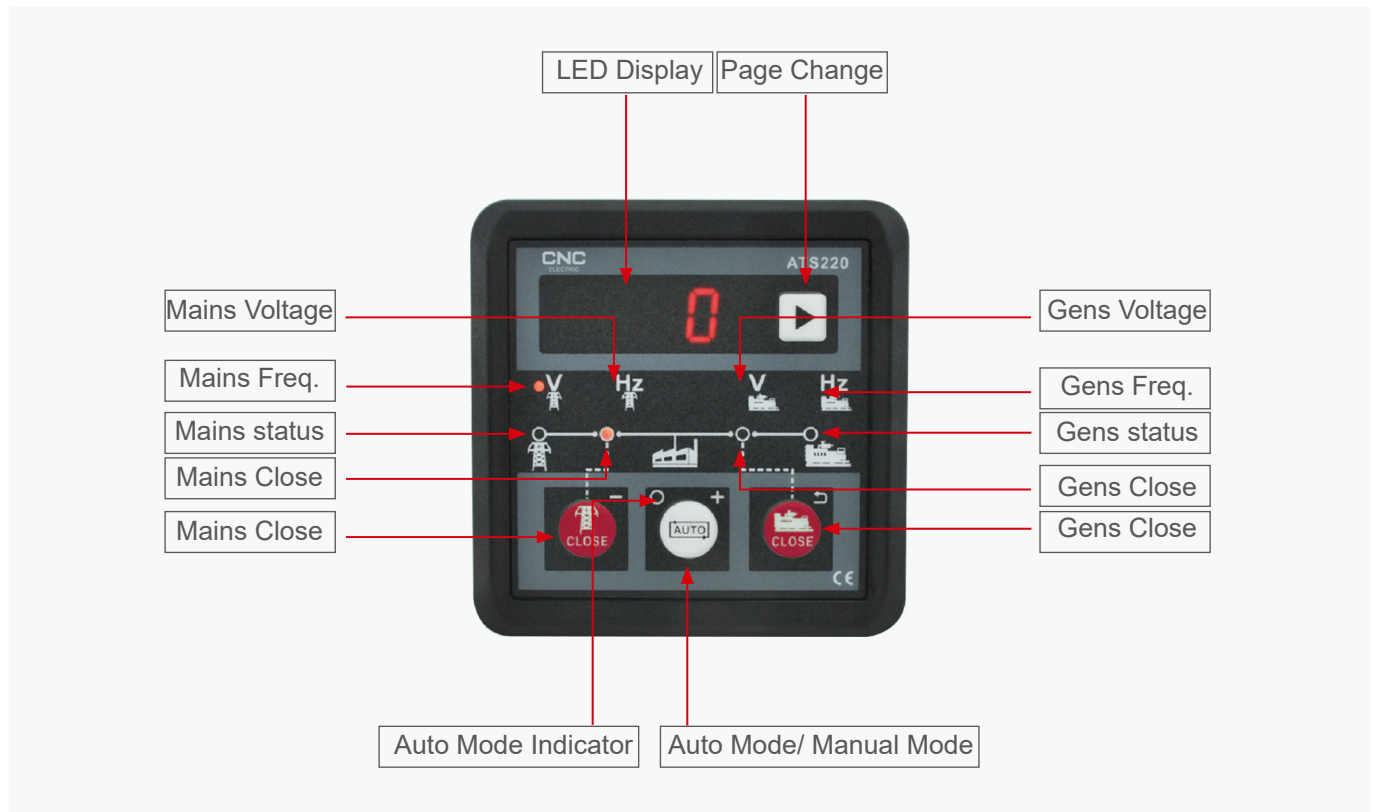
Techniactal data

Options	Parameters
Operation Voltage	DC8-36V Continuous
Power Consumption	Standby:24V:MAX 1W
	Working:24V:MAX 3W
Mains AC Voltage Input	30VAC-300VAC(ph-N)
Gens AC Voltage Input	30VAC-300VAC(ph-N)
Gens Close Output	5Amp(AC250V) free output
Mains Close Output	5Amp(AC250V) free output
Gen Start Relay	5Amp(AC250V) free output
Switch Value Input	Available if connecting with Battery -
Working Condition	-30-70°C
Storage Condition	-40-85°C
Protection Level	IP54:when waterproof rubber gasket is added between controller and its panel
Overall Dimension	78mm*78mm*55mm
Panel Cutout	67mm*67mm
Weight	0.3Kg

Distribution Apparatus

ATS220 ATS Controller

Product Overview

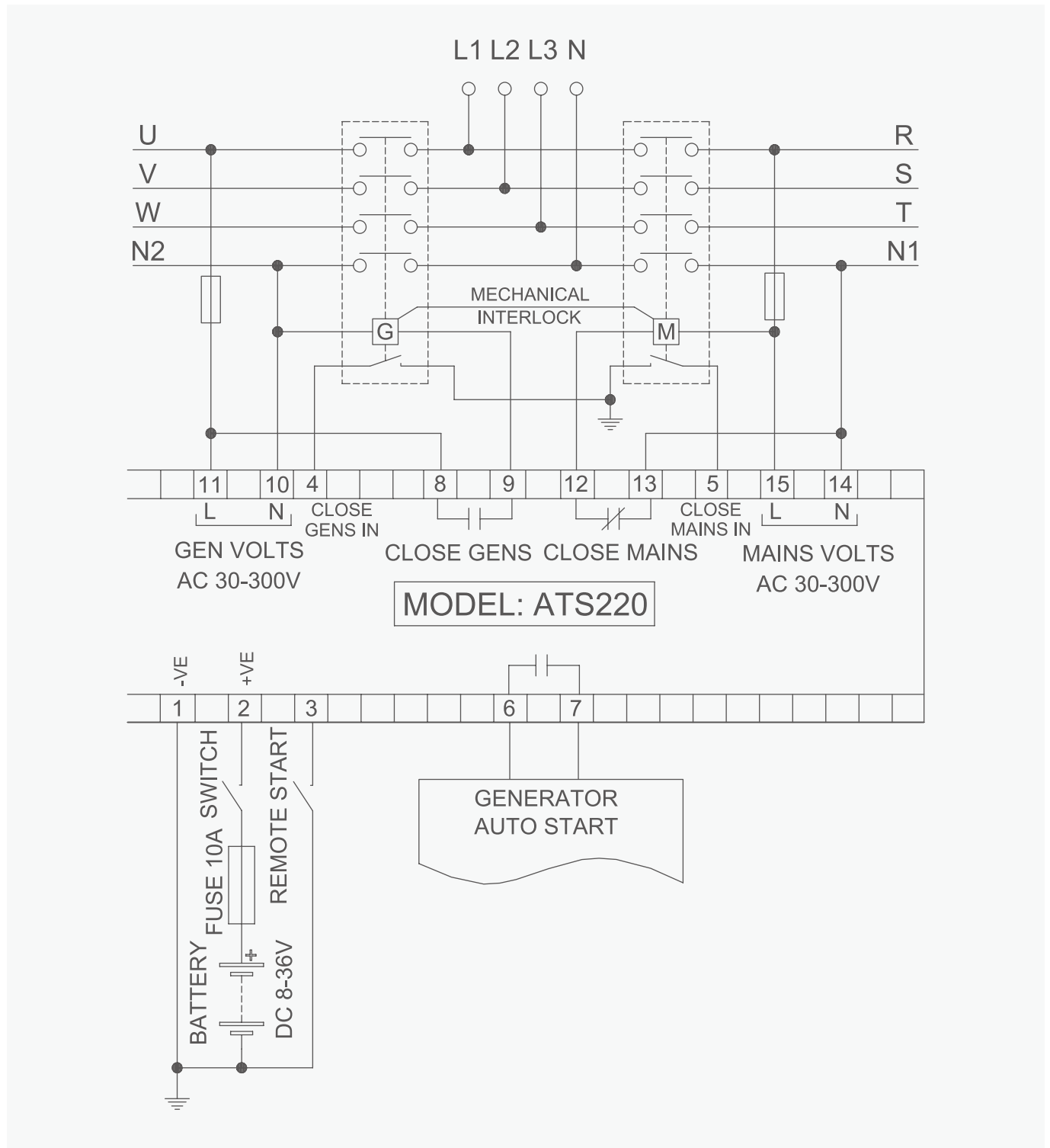


Indicator name	Main function
Mains Voltage Indicator	Mains voltage. When the load is switched to the mains supply, the display will display the mains voltage
Mains Frequency Indicator	Mains frequency
Gens Voltage Indicator	Gens voltage. When the load is switched to the gens supply, the display will display the gens voltage
Gens Frequency Indicator	Gens Frequency
Mains status Indicator	LED will be on if the Mains normal and off if Mains off, flash if there is low voltage or high voltage alarm.
Mains Close Indicator	LED will be on if the Mains loading is available.
Gens status Indicator	LED will be on if the Gens normal and off if Gens off, flash if there is low voltage or high voltage alarm.
Gens Close Indicator	LED will be on if the Gens loading is available.
Auto Mode Indicator	LED will be on under auto mode and off under manual mode.

Distribution Apparatus

ATS220 ATS Controller

Wiring of the controller

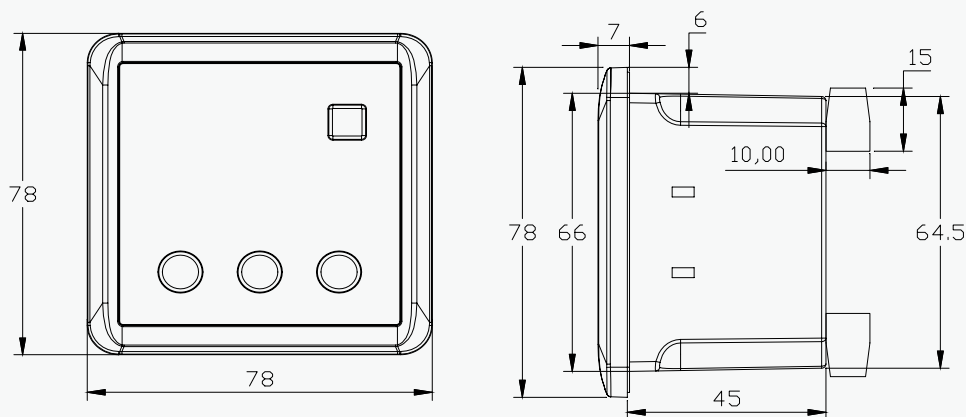


Distribution Apparatus

ATS220 ATS Controller

Function		Cable cross sectional area
Power Input B-	DC8-36V Continuous.	2.5mm ²
Power Input B+		2.5mm ²
Remote Start Input	Ground connection is active.	1.0mm ²
Close Gens input	Ground connection is active.	1.0mm ²
Close Mains input	Ground connection is active.	1.0mm ²
Gens Start Output	Volts free, Relay contact, Normally Open output, Max5A(250VAC)	1.0mm ²
		1.0mm ²
Gens status Indicator	Volts free, Relay contact, Normally Open output, Max5A(250VAC)	1.0mm ²
		1.0mm ²
Gens Voltage Input L	Gens voltage Input, AC30-300V	1.0mm ²
Gens Voltage Input N		1.0mm ²
Mains Close Output	Volts free, Relay contact, Normally Open output, Max5A(250VAC)	1.0mm ²
		1.0mm ²
Mains Voltage Input L	Mains voltage Input, AC30-300V	1.0mm ²
Mains Voltage Input N		1.0mm ²

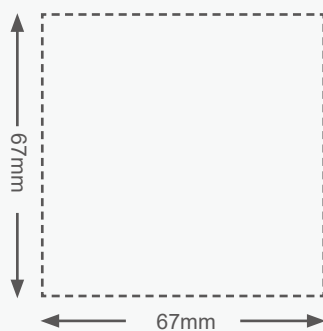
Overall and mounting dimensions(mm)



Installation instruction

The controller should be installed by two accessories and screw.

Panel Cutout: W67mm*H67mm.



Note: If the controller is installed directly in the genset shell or other fluctuated equipment, the rubber pad must be installed.