

## DD862 Single-phase Active Watt-hour Meter

### General

The DD862 type single-phase watt-hour meter is a kind of induction type meter, which is applicable to measure the rated frequency 50Hz and power loss in electrified-wire netting. The meter has novel design, rational structure and features of high overload, low power loss and long life etc.



### Function and features

1. Sub-closed iron core
2. The die-casting frame is made of alloy aluminum, to assure the magnetic line stably and reliably.
3. Meter bearing has three kinds, may select dual jewel, magnetic thrust or magnetic float;
4. May select 5+1 digits or 5 digits register;
5. May select 5 kinds of cases: bakelite, PC, ABS plastic, glass and aluminum.

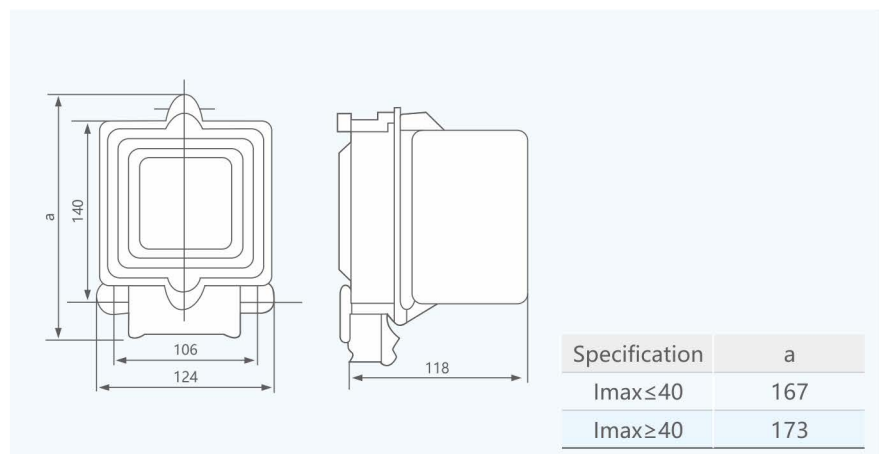
### Specifications

Type	Accuracy	Rated voltage (V)	Rated current (A)
DD862	2	220~240	1.5(6), 2.5(10), 3(12), 5(20), 5(30) 10(40), 15(60), 20(80), 30(100)

Type	Overload capacity	Starting current	Insulation performance
DD862	4~6Ib	0.5%Ib	AC volation 2kV 50V 1 min impulse voltage 6kV



### Overall and mounting dimensions(mm)



Netr:

